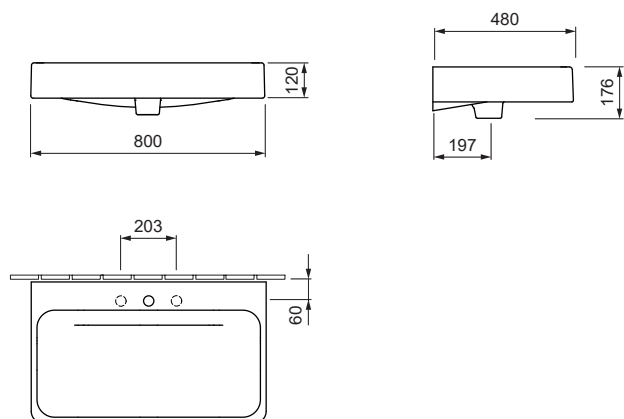


HELVETIA

HELVETIA VANITY BASIN L71.0480.00X1.0



PRODUCT DETAILS

Dimensions / Weight	800 x 480 x 176 mm / 26.0 kg
Installation	Counter top
Tap fitting	With or without tap platform
Material	With easy-clean surface
Overflow	Without overflow
Scope of delivery	Ceramic including fixing material

SPECIFICATION TEXT

AXENT Helvetia Vanity basin, design by Matteo Thun & Partner. Sanitary ware with covered drain and without tap hole. Without overflow. Rectangular basin shape. AXENT easy-clean surface. Dimension (wxdxh) 800x480x176 mm. White. Order no. L71.0480.0001.0

AXENT Helvetia Vanity basin, design by Matteo Thun & Partner. Sanitary ware with covered drain and single-hole faucet. Without overflow. Rectangular basin shape. AXENT easy-clean surface. Dimension (wxdxh) 800x480x176 mm. White. Order no. L71.0480.0011.0

AXENT Helvetia Vanity basin, design by Matteo Thun & Partner. Sanitary ware with covered drain and three-hole faucet. Without overflow. Rectangular basin shape. AXENT easy-clean surface. Dimension (wxdxh) 800x480x176 mm. White. Order no. L71.0480.0031.0