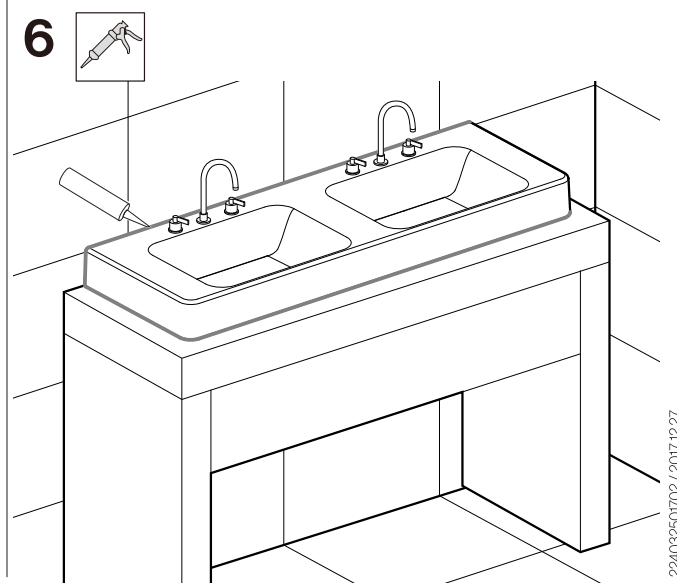
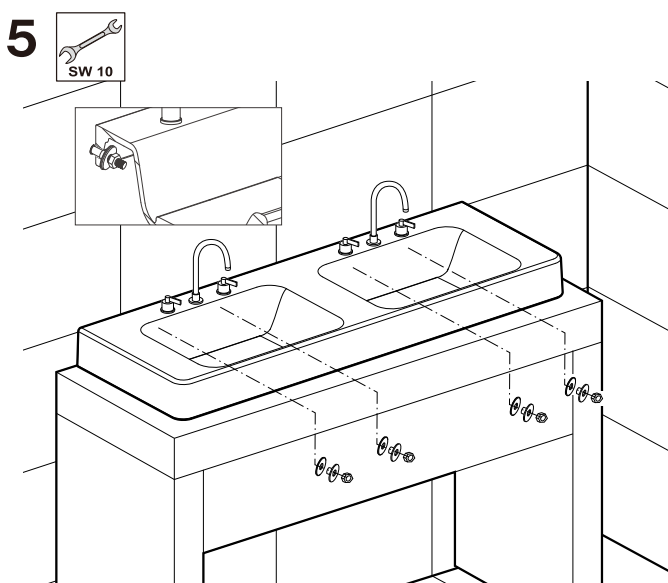
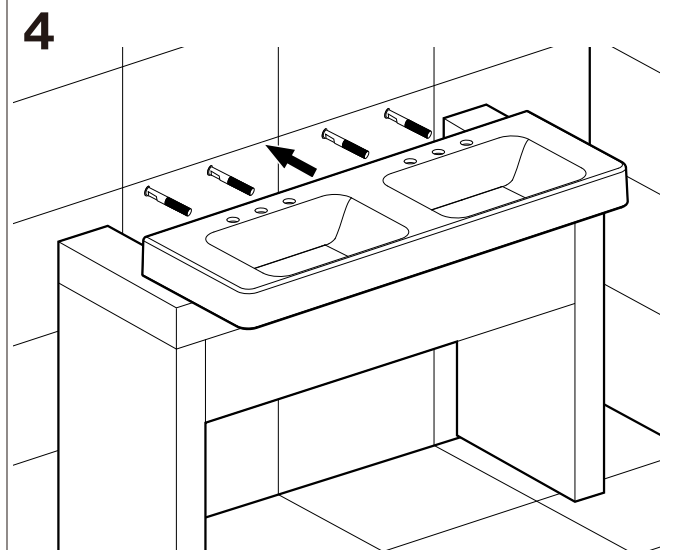
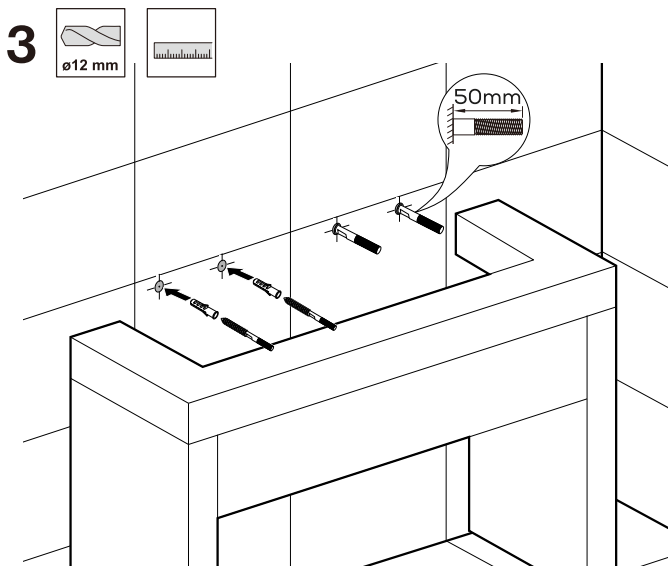
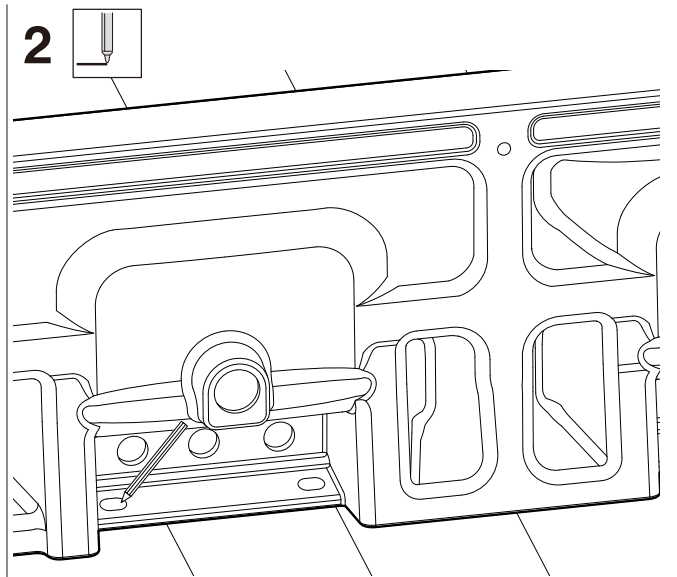
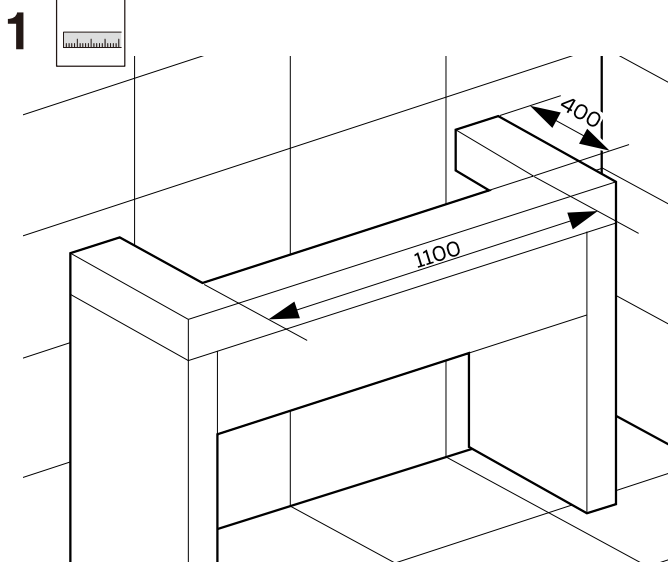




HELVETIA

AXENT
SWITZERLAND



22403250T02 / 2017.12.27