
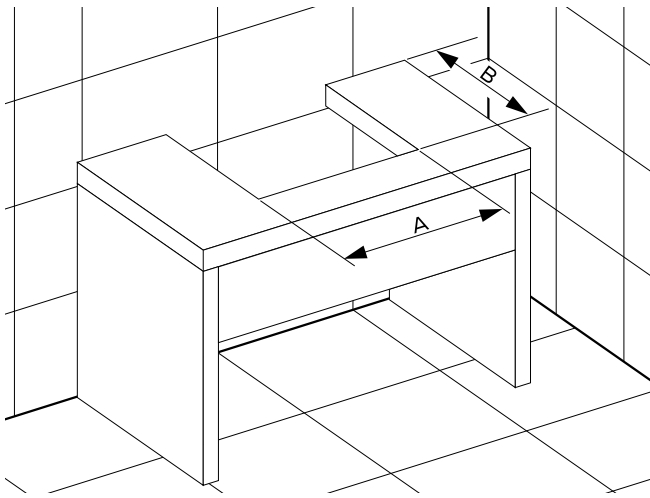




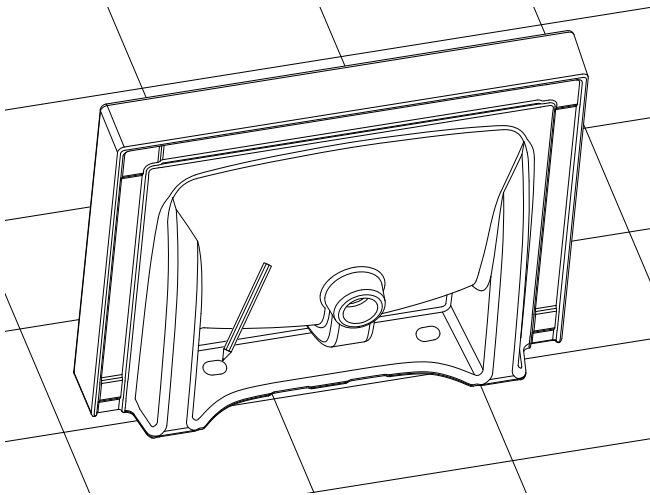
DUNE


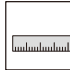
1 

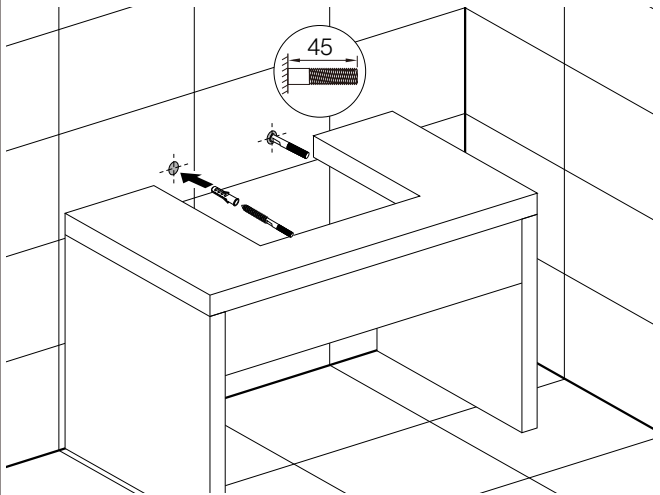


	A	B
L58.0460.00X1.0 (600 mm)	540	460
L58.0480.00X1.0 (800 mm)	720	460
L58.0410.00X1.0 (1000 mm)	910	460

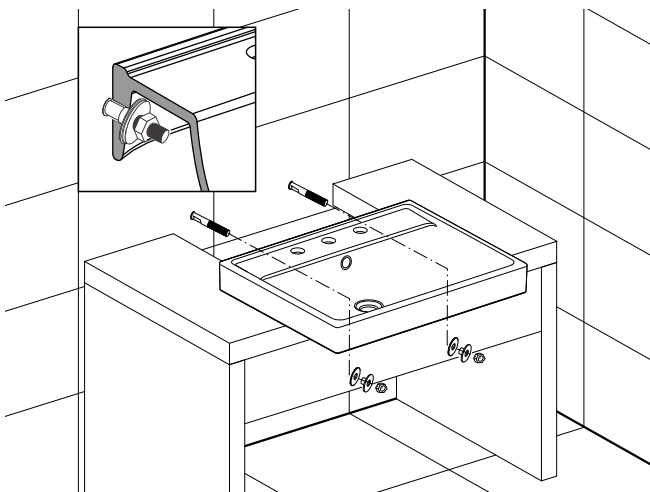
2 



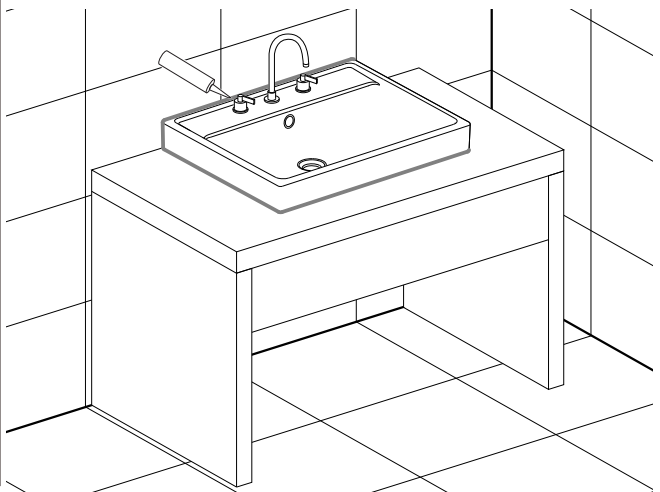
3  



4  SW 10



5 



224032500101 / 2017.11.24