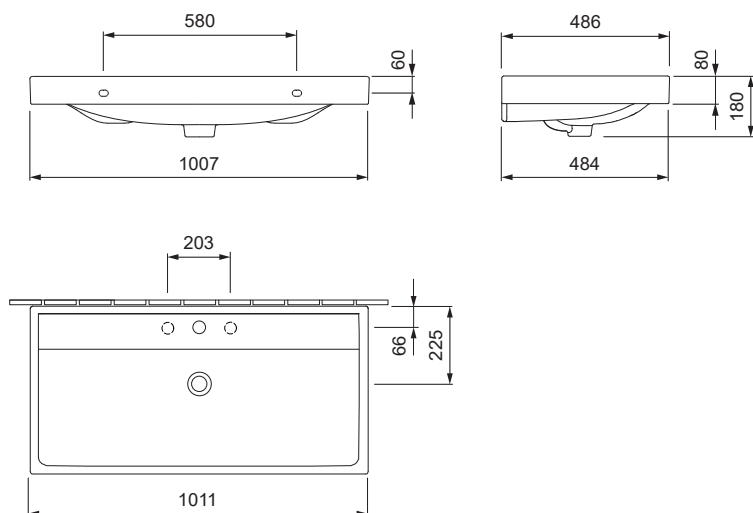


DUNE

VANITY BASIN L58.0410.00X1.0



PRODUCT DETAILS

Dimensions / Weight	1011 x 486 x 180 mm / 27,0 kg
Installation	Counter top or wall-mounted
Tap fitting	Single-hole or three-hole faucet
Material	With easy-clean surface
Overflow	With overflow
Scope of delivery	Ceramic including fixing material

SPECIFICATION TEXT

AXENT Dune Vanity basin, design by AXENT. Sanitary ware for counter top or wall installation. With tap platform for single-hole faucet. With overflow. Rectangular basin shape. AXENT easy-clean surface. Including fixation. Dimension (wxdxh) 1011x486x180 mm. White.

Order no. L58.0410.0011.0

AXENT Dune Vanity basin, design by AXENT. Sanitary ware for counter top or wall installation. With tap platform for three-hole faucet. With overflow. Rectangular basin shape. AXENT easy-clean surface. Including fixation. Dimension (wxdxh) 1011x486x180 mm. White.

Order no. L58.0410.0031.0