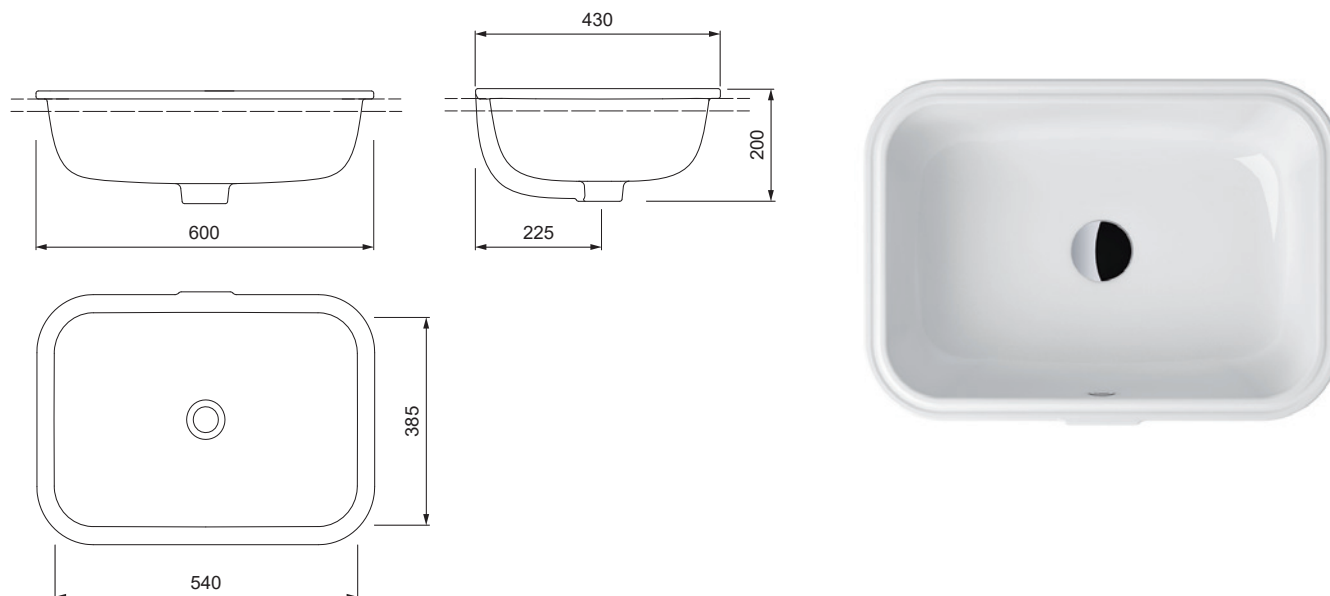


AXENT.ONE C

UNDER COUNTER WASHBASIN L31.1160.0001.1



PRODUCT DETAILS

Dimensions / Weight	600 x 430 mm / 13.2 kg
Installation	Under counter
Tap fitting	None
Material	Fine Fire Clay with AXENT easy-clean surface
Overflow	With overflow including chrome clip
Scope of delivery	Ceramic including fixing material

SPECIFICATION TEXT

AXENT.ONE C Under counter washbasin, design by Matteo Thun & Antonio Rodriguez. Sanitary ware without tap platform. With overflow. Rectangular basin shape. AXENT easy-clean surface. Dimension (wxdxh) 600x430x200 mm. White. Oder no. L31.1160.0001.1