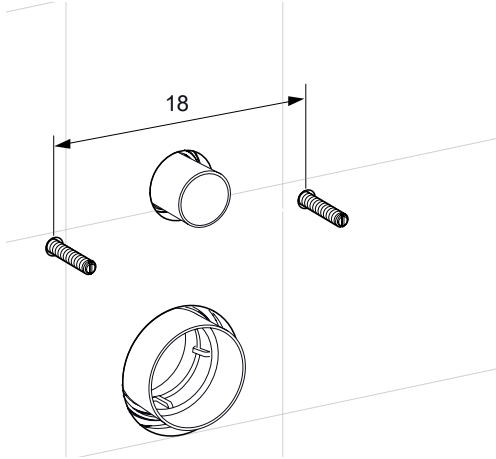


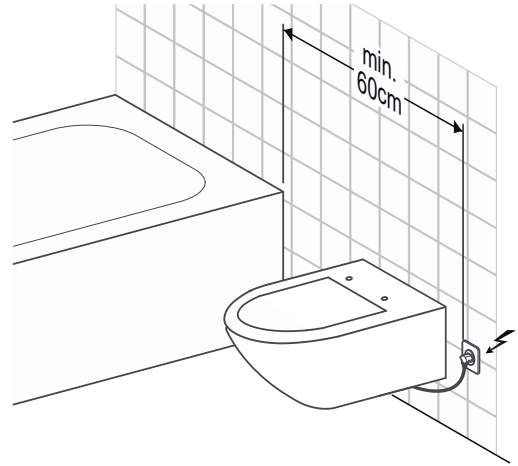
WATER AND POWER CONNECTION

AXENT.ONE / AXENT.ONE^{PLUS}

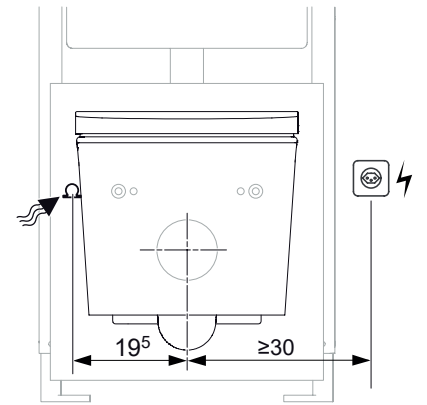
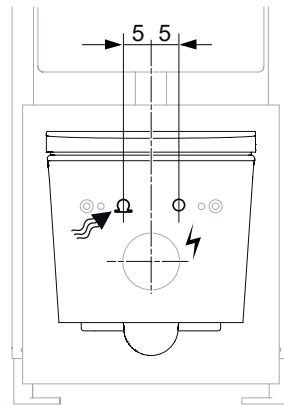
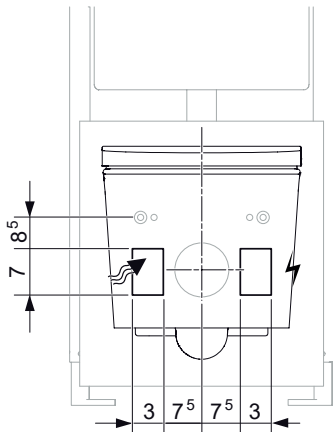
INSTRUCTION FOR INSTALLATION



ELECTROTECHNICAL REQUIREMENTS



WATER AND POWER CONNECTION FOR AXENT.ONE SHOWER TOILET



Water and power connection invisible with an installation system from various brands.

Water and power connection invisible with an installation system from Geberit.

Water and power connection lateral visible with an installation system from Geberit.



Water



Electro