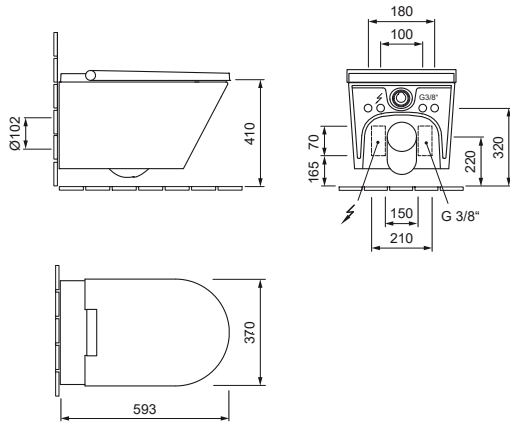


AXENT.ONE PLUS

SHOWER TOILET, WALL-HUNG E81.0510.0001.9



PRODUCT DETAILS

Dimensions / weight	370 x 593 x 397 mm / 31,0 kg
Flow pressure	0,7 – 7,5 bar
Water flow rate, wash function	0,35 – 0,85 l/min
Power consumption / nominal voltage	1600 W / 230 V - 50Hz

FEATURES

- Rear wash
- Lady wash
- Adjustable shower temperature
- Adjustable flow rate
- Adjustable spray arm position
- Oscillating shower spray
- Pulsating shower spray
- Oscillating/pulsating shower spray
- Air dryer, adjustable temperature
- Seat heating, adjustable temperature
- Seat with user detection function
- Deodoriser with run-on function
- Subdued LED night light
- Descaling programme
- Remote control
- Five programmable user profiles
- App connection
- Toilet seat and lid with automatic soft close function and quick release
- Rimfree toilet bowl – for wall mounting
- Low-noise AXENT.Infinity flush
- Antibacterial ceramic glaze
- Stain-resistant AXENT Easy Clean coating
- Certified to DVGW W540 (German Technical and Scientific Association for Gas and Water), approved by SVGW (Swiss Technical and Scientific Association for Gas and Water)

FULL DESCRIPTION

AXENT.ONE PLUS complete shower toilet system, design by Matteo Thun & Antonio Rodriguez.

Siphonic wall-hung toilet, required flush water 3 / 6 l to EN 997. Sanitary wear with concealed fastening. Rimless toilet bowl with antibacterial ceramic glaze. AXENT Easy Clean coating. Low-noise AXENT.Infinity flush.

Toilet seat and lid with automatic soft close function and antibacterial coating, easy to remove for cleaning. All functions can be controlled via the remote control and/or app.

Functions: Rear and lady wash, adjustment of spray arm position, adjustable water flow rate and temperature, programmable user profiles, seat heating, oscillating and pulsating shower spray, air dryer, deodoriser with run-on function, user detection, descaling programme, night light.

Dimensions (WxDxH) 370x593x397 mm. White. Part no. E81.0510.0001.9